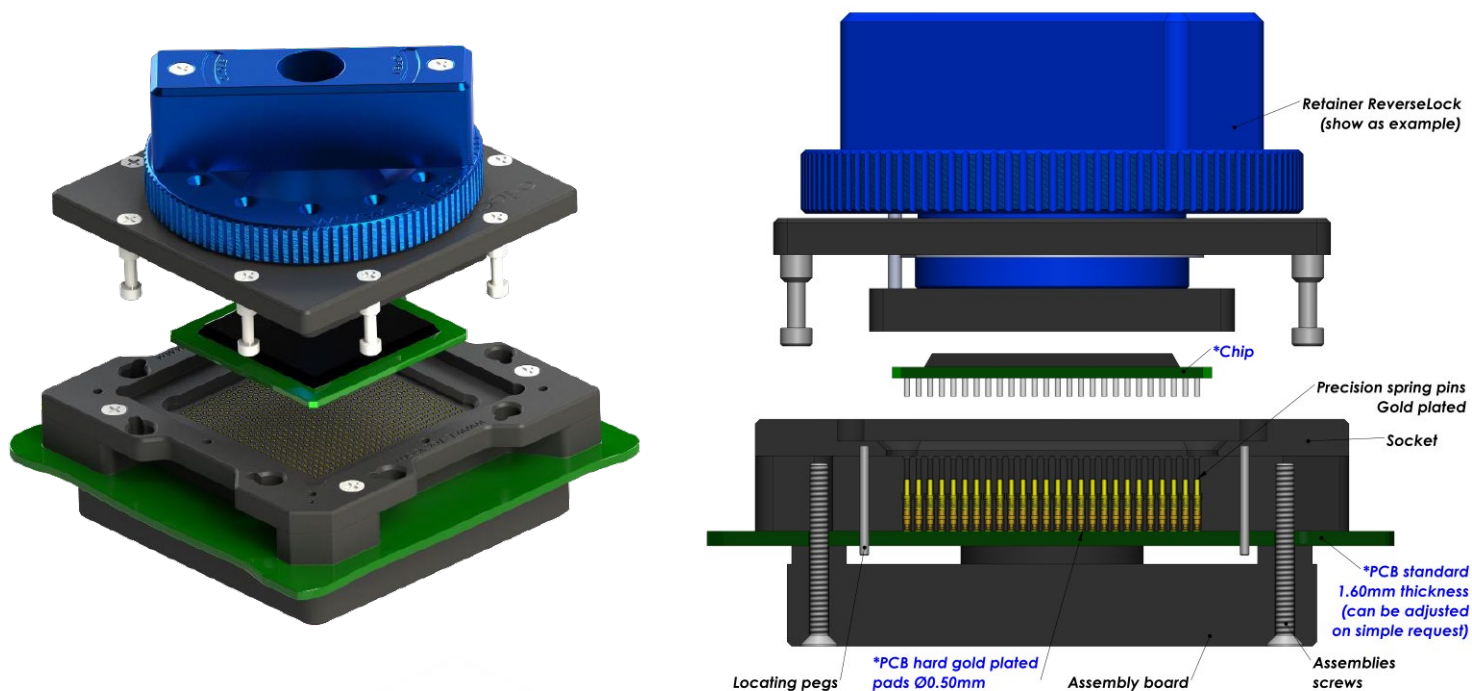
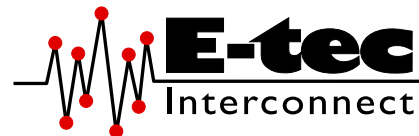


Probe Pin Solderless Compression Test Socket

For CGA / PGA / PGI Package

0.80 mm pitch (from 0.80 mm to 0.99 mm)



E-tec Interconnect AG is the world leading Test socket manufacturer

Probe Pin (Pogo) Solderless compression Test Sockets type are available for any chip size and pitch and are attached with 2, 4 or 8 screws to the PCB. The assembly board ensures perfect coplanarity of the socket. Contact reliability is guaranteed with spring loaded gold plated contacts, which are pressed onto gold plated PCB pads. Probe Pin (Pogo) Solderless compression type sockets are available with all retention systems. We aim to solve your requirements. Please note, we will always request the chip data to ensure we offer a compatible socket.

| Contacts Specifications | | | | | | |
|-------------------------|---------------------------------|--------------------|------------------------|--------------------|--------------------|--------------------|
| Contact type code | 0890 | 0891 | 0893 | 0892 | 0894 | 0898 |
| Application | Standard | High Frequency | Low Contact Resistance | High Frequency | Frequency | Frequency |
| Mounting | Solderless | Solderless | Solderless | Solderless | Solderless | Solderless |
| Bandwidth (GHz@-1dB) | 3.4 GHz | 36 GHz | 7 GHz | 31 GHz | 14 GHz | 31.7 GHz |
| Contact resistance | <100 mOhm | 100 mOhm | 40 mOhm | 90 mOhm | 90 mOhm | 25 mOhm |
| Chip contact tip shape | Single Point tip Concave tip | Single Point tip | Crown tip | Single Point tip | Single Point tip | Single Point tip |
| PCB tip shape | Single Point tip | Single Point tip | Single Point tip | Spring | Spring | Spring |
| Force | 30 gr | 33 gr | 23 gr | 20 gr | 20 gr | 25 gr |
| Current rating | 1.8 A | 1 A | 1 A | 0.5 A | 0.5 A | 2.6 A |
| Capacitance pF | <1 pF | 0.47 pF | 0.55 pF | 0.37 pF | 0.30 pF | 0.60 pF |
| Inductance nH | <2 nH | 0.93 nH | 1.08 nH | 1.67 nH | 1.66 nH | 1.38 nH |
| Impedance Ohms | 40 Ω | 38 Ω | 39 Ω | 73 Ω | 78 Ω | 44.8 Ω |
| Temperature range | -55°C to +150°C | -40°C to +120°C | -50°C to +150°C | -55°C to +150°C | -55°C to +150°C | -55°C to +150°C |
| Mating cycles | 100 K | 100 K | 100 K | 100 K | 100 K | 100 K |

More on the next page

