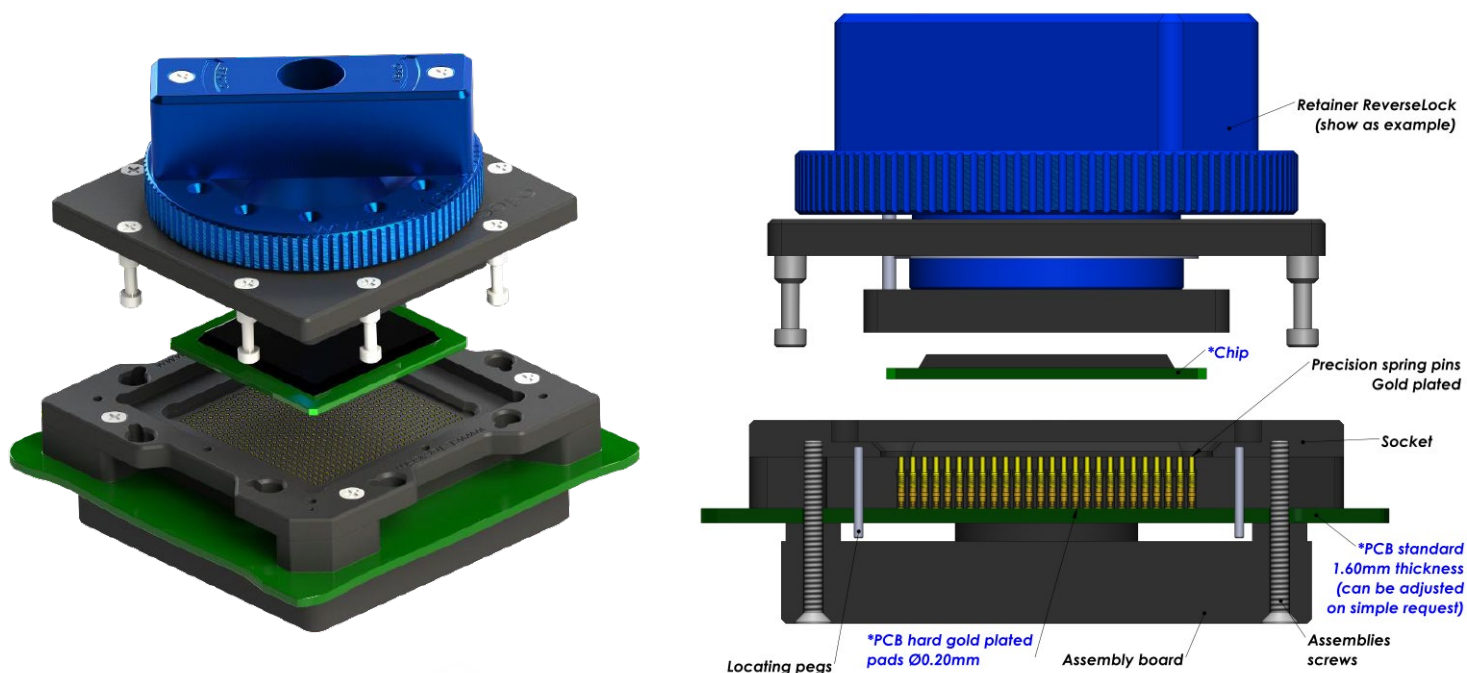
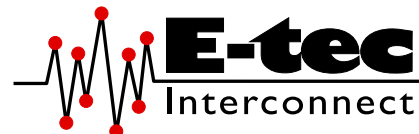


Probe Pin Solderless Compression Test Socket

For LGA / QFN / MLF / MLP / LCC Package

0.30 mm pitch (from 0.30 mm to 0.39 mm)



E-tec Interconnect AG is the world leading Test socket manufacturer

Probe Pin (Pogo) Solderless compression Test Sockets type are available for any chip size and pitch and are attached with 2, 4 or 8 screws to the PCB. The assembly board ensures perfect coplanarity of the socket. Contact reliability is guaranteed with spring loaded gold plated contacts, which are pressed onto gold plated PCB pads. Probe Pin (Pogo) Solderless compression type sockets are available with all retention systems. We aim to solve your requirements. Please note, we will always request the chip data to ensure we offer a compatible socket.

Contacts Specifications	
Contact type code	0398
Application	High Frequency
Mounting	Solderless
Bandwidth (GHz@-1dB)	19 GHz
Contact resistance	<100 mOhm
Chip contact tip shape	Single Point tip
PCB tip shape	Single Point tip
Force	17 gr
Current rating	0.8 A
Capacitance pF	0.50 pF
Inductance nH	1.27 nH
Impedance Ohms	45 Ω
Temperature range	-45°C to +125°C
Mating cycles	150 K

More on the next page

