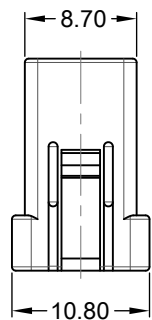
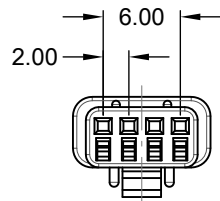
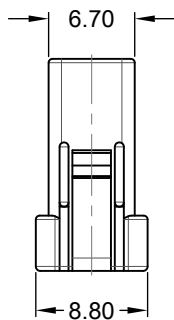
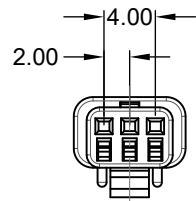


7		8	
REV.	DESCRIPTION	DATE	DRAWN
A	New	01.12.2021	Cheng

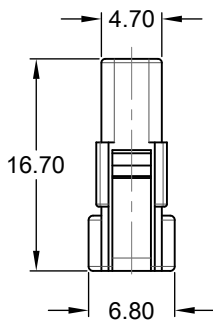
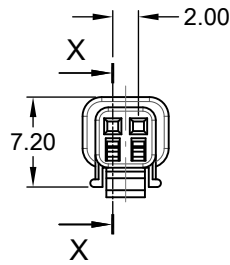
4-Contact



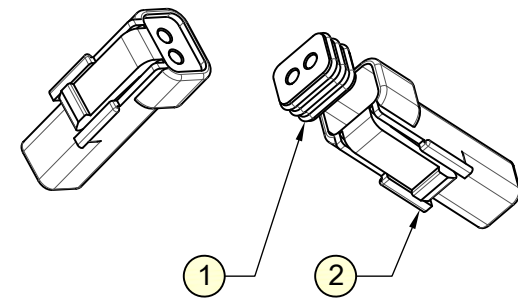
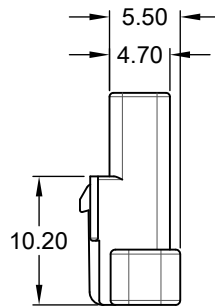
3-Contact



2-Contact



6 & 8-Contact
See sheet 2



Order Code
WWR-xxx-67-09-T/2

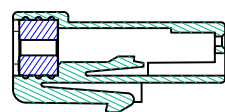
No. of Contacts
002
003
004
 006 & 008 (See sheet 2)

load with contact:
WWR-999/26-99-T

 mate with:
WWP-xxx-67-09-T/2 Male Housing



X-X



Specifications

Electrical
 Current rating: 3A AC/DC per contact
 Insulation resistance: 1000MΩ min.
 Voltage rating: 100V AC/DC
 Withstanding voltage: 1000V AC

Mechanical Requirements
 Waterproof grade: IPx7 of IEC 60529
 Operating temperature: -25°C to +85°C

E-tec 2021 © - all rights reserved www.e-tec.asia

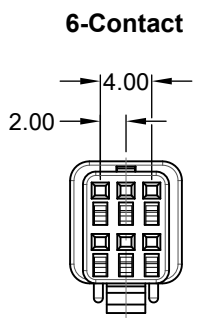
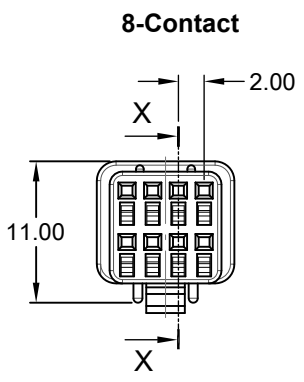
Item	Part Name	Materials / Finish(Color)	Q'TY
1	Gasket Plug	Silicone / Light Blue	1
2	Body	PBT + 15%GF / White	1



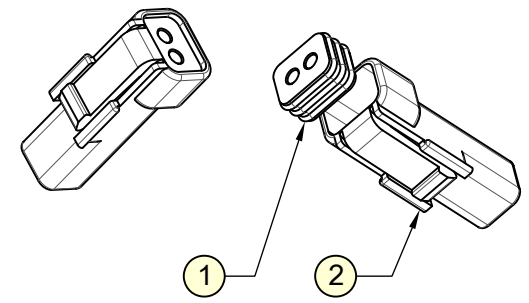
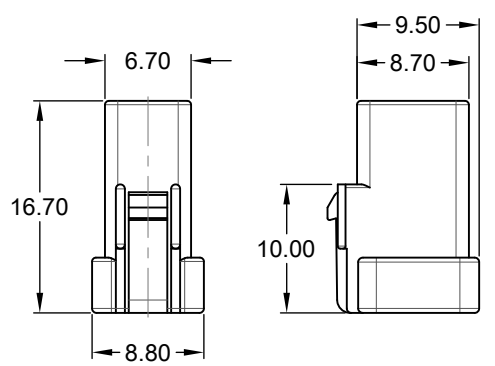
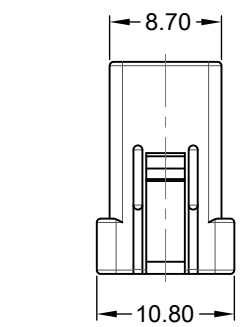
UNIT mm	GENERAL TOLERANCE		DRAWN Cheng	DATE 01.12.2021	DWG. NO. WWR-67-09-T/2	SHEET 1/3
	SCALE Free	X.° ±	X. ±	CHECK Ronny	DATE 01.12.2021	REV. A
		.XX° ±	.XX ± 0.20	APPROVE Fagi	DATE 01.12.2021	SERIES NO. WWR-xxx-67-09-T/2
		.XXX° ±	.XXX ±			

Wire to Wire Connector
 2/3/4-Contact Female Housing
 2.00mm Pitch - Waterproof

7		8	
REV.	DESCRIPTION	DATE	DRAWN
A	New	01.12.2021	Cheng



2, 3 & 4-Contact
See sheet 1



Order Code
WWR-xxx-67-09-T/2

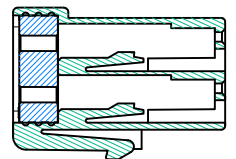
No. of Contacts
002 to 004 (See sheet 1)
006
008

load with contact:
[WWR-999/26-99-T](#)

mate with:
[WWP-xxx-67-09-T/2](#) Male Housing



X-X



Specifications

Electrical
Current rating: 3A AC/DC per contact
Insulation resistance: 1000MΩ min.
Voltage rating: 100V AC/DC
Withstanding voltage: 1000V AC

Mechanical Requirements

Waterproof grade: IPx7 of IEC 60529
Operating temperature: -25°C to +85°C

E-tec 2021 © - all rights reserved www.e-tec.asia

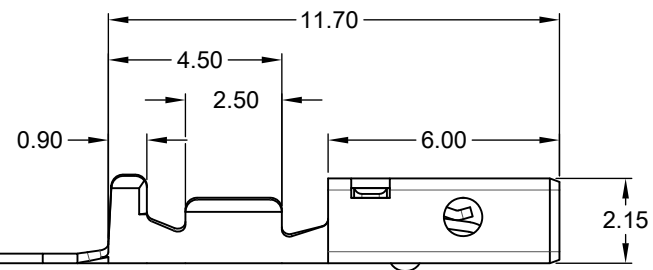
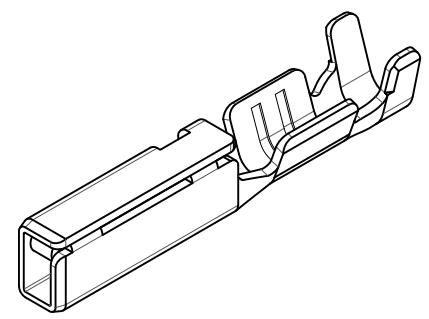
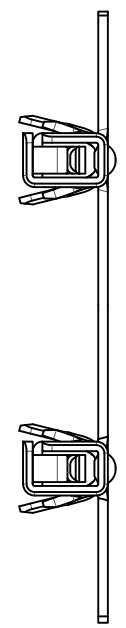
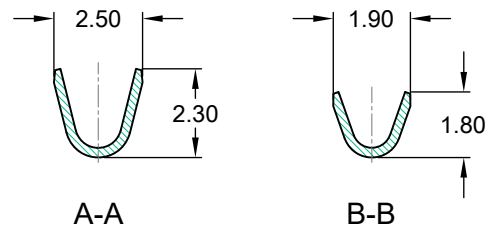
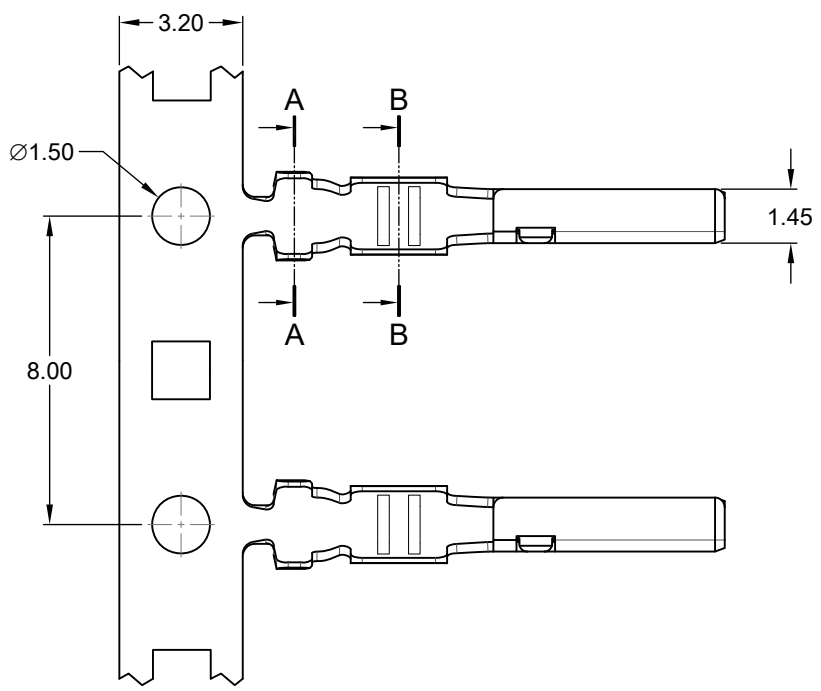
Item	Part Name	Materials / Finish(Color)	Q'TY
1	Gasket Plug	Silicone / Light Blue	1
2	Body	PBT + 15%GF / White	1



UNIT	mm	GENERAL TOLERANCE		DRAWN	DATE	DWG. NO.	SHEET 2/3
SCALE	Free	X.° ±	X. ±	Cheng	01.12.2021	WWR-67-09-T/2	REV. A
		.X° ±	.X ±	Ronny	01.12.2021	SERIES NO.	
		.XX° ±	.XX ± 0.20	Fagi	01.12.2021	WWR-xxx-67-09-T/2	
		.XXX° ±	.XXX ±				

Wire to Wire Connector
6 & 8-Contact Female Housing
2.00mm Pitch - Waterproof

7		8	
REV.	DESCRIPTION	DATE	DRAWN
A	New	01.12.2021	Cheng



Order Code
WWR-999/26-99-T



Specifications

Electrical
 Current rating: 3A AC/DC(AWG #22)
 Insulation resistance: 1000MΩ min.
 Contact resistance: Initial value 10mΩ max.
 After environmental testing 20mΩ max.
 Voltage rating: 100V AC/DC
 Withstanding voltage: 1000V AC/ Minute

Material

Contact: Phosphor Bronze t=0.25mm
 Plating: Sn over Ni

Operating temperature: -25°C to +85°C

Accept wire range: AWG #22-#26

Packing

Reel: 10,000 pcs./reel

E-tec 2021 © - all rights reserved www.e-tec.asia



UNIT mm	GENERAL TOLERANCE		DRAWN	DATE	DWG. NO.	SHEET 3/3
	X.° ±	X. ±	Cheng	01.12.2021	WWR-999/26-99-T	REV. A
	.X° ±	.X ±	CHECK	DATE		
	.XX° ±	.XX ± 0.20	Ronny	01.12.2021	SERIES NO.	
SCALE Free	.XXX° ±	.XXX ±	APPROVE	DATE	WWR-999/26-xx-T	
			Fagi	01.12.2021		

Female Crimp Contact
 Load in Housing
 WWR-xxx-67-09-T/2